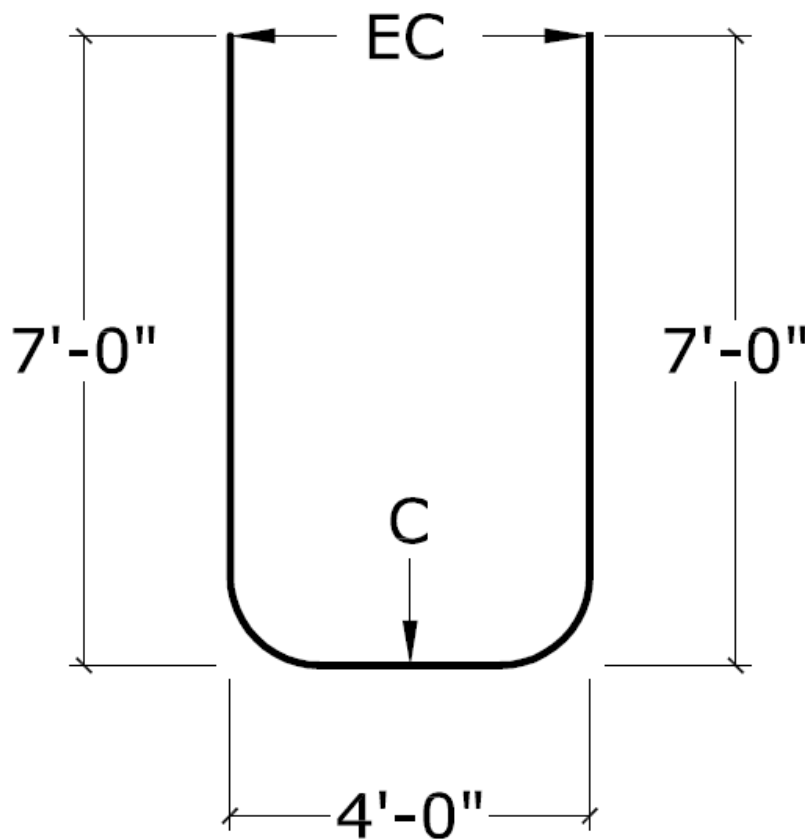


I.V. Track & I.V. Carrier

Track Assembly Details

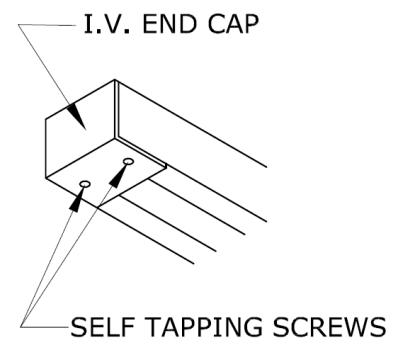
Material	#6063 Extruded Aluminum
Finish	Satin Anodized or White Baked Enamel
Bends	All bends shall be 12" radius and up to 90 degrees
I.V. Carriers	NC-100 Aluminum Carriage, 4 nylon wheels, stainless steel IV loop, locking nylon bushing. Locks into place with a single 180 degree twist.



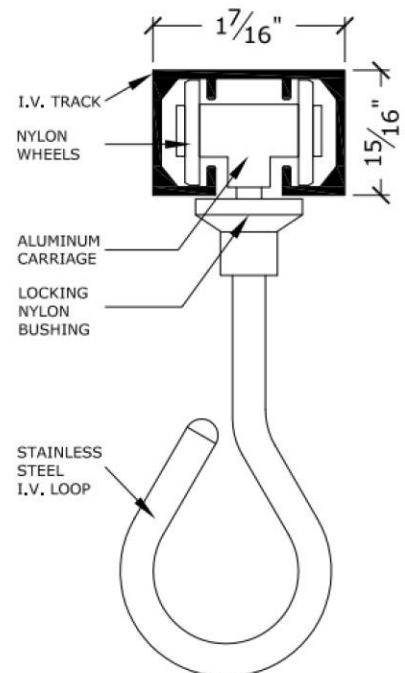
TYPICAL 1100IV TRACK PARTS

1107 End Cap: Aluminum End Cap is used as a permanent stop for curtain carriers. It is secured to the track with two (2) screws.

1108 Connector: Aluminum connector is used to join two pieces of track. It is secured with four (4) rivets, two per track piece.



1100 IV



NC-100 CARRIER