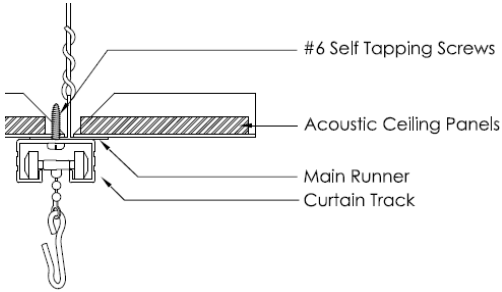
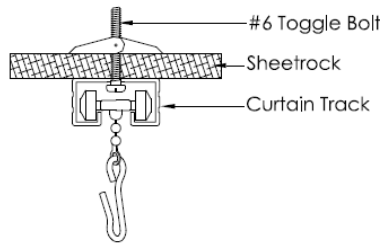


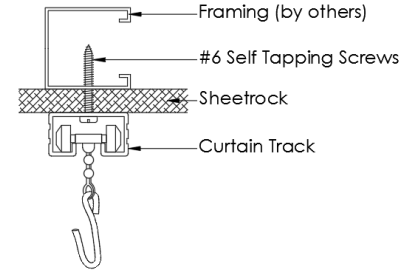
CUBE CARE CUBICLE CURTAIN TRACK CLASSIC TRACK MOUNTING DETAILS WITH WHEEL CARRIER



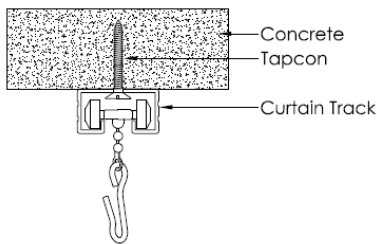
1. Drop Ceiling Grid Installation



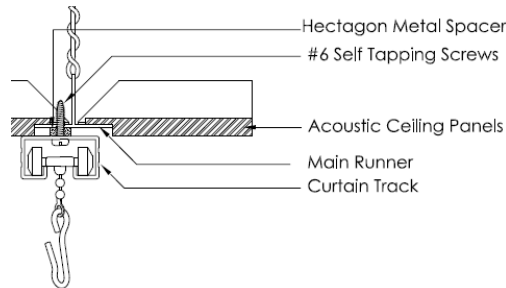
2. Sheetrock (Drywall) Installation
Option 1 (Using Toggle Bolt)



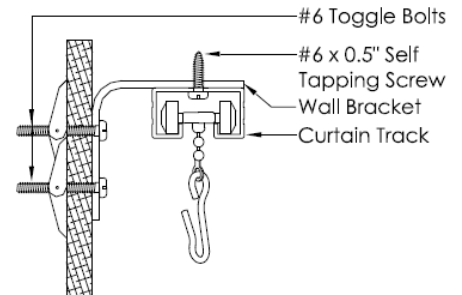
2. Sheetrock (Drywall) Installation
Option 2 (Using Self Tapping Screws)



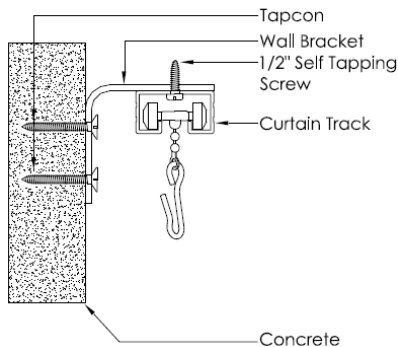
3. Concrete Installation



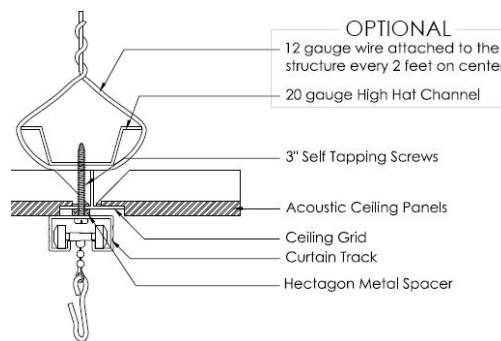
4. Acoustical Tiles with Relief Installation



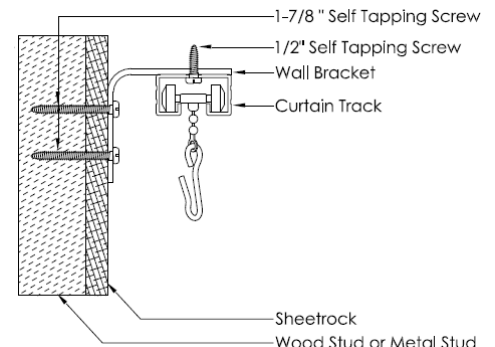
5. Sheetrock (Drywall) Wall Installation



6. Concrete Wall Installation



7. Drop Ceiling Grid with Channel Backing Installation (Above Ceiling Support)



8. Wood Wall Installation

Notes:

- 1.) Cube Care Company will not be held liable for the listed installation recommendations.
- 2.) Details are not to scale.
- 3.) Screw #6 means 1-7/8" or 1" depends on field condition.