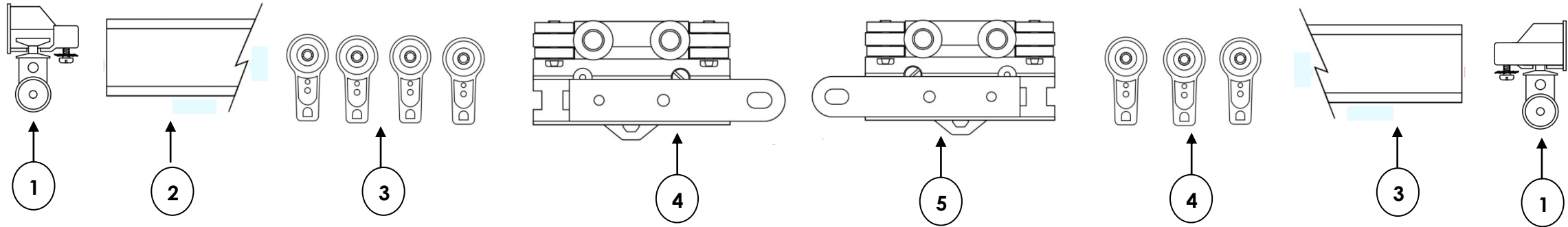
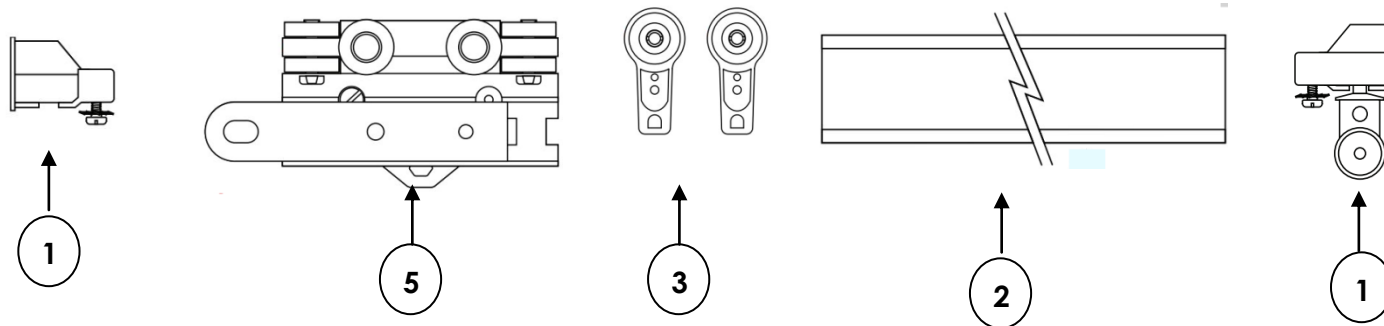


ASSEMBLY INSTRUCTIONS FOR 3000 SERIES FOR PINCH PLEATED DRAPERY

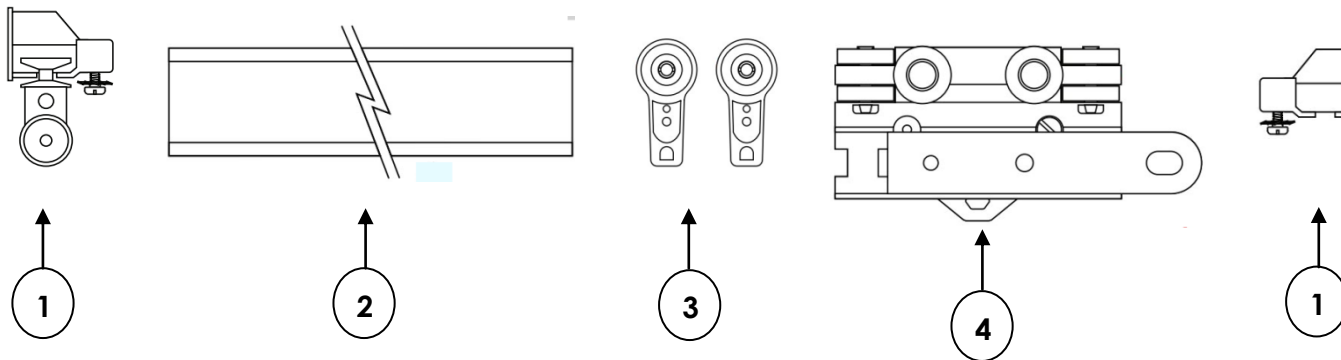
Center Split Panel



Right Hand Panel



Left Hand Panel



PARTS:

1. End Stop
2. 3000 Series Track
3. Ball Bearing Carriers
4. Left Hand Baton Master
5. Right Hand Baton Master