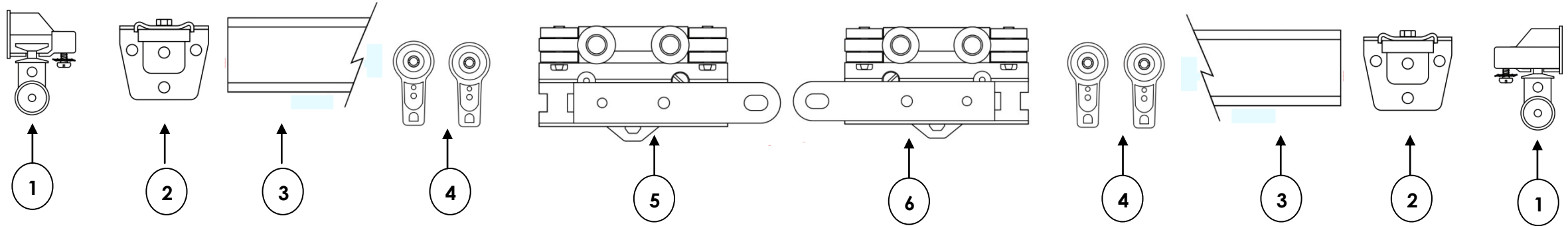
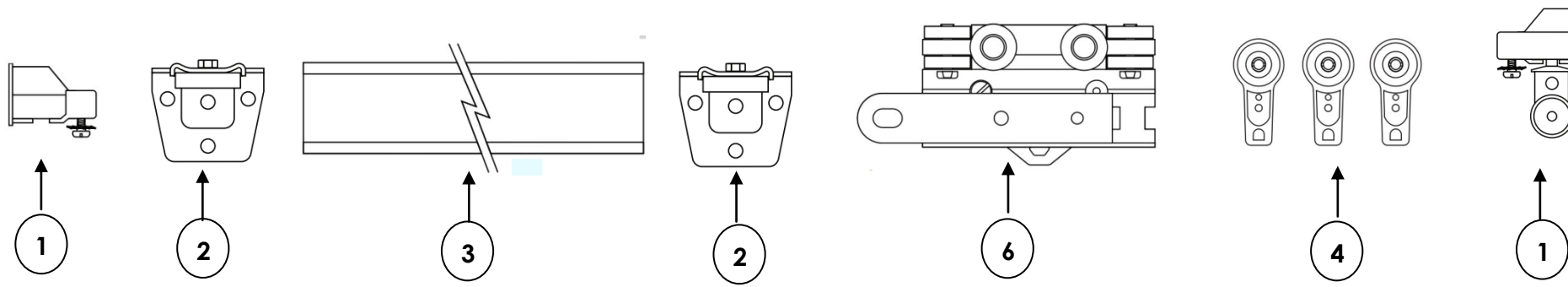


# ASSEMBLY INSTRUCTIONS FOR 2000 SERIES FOR PINCH PLEATED DRAPERY

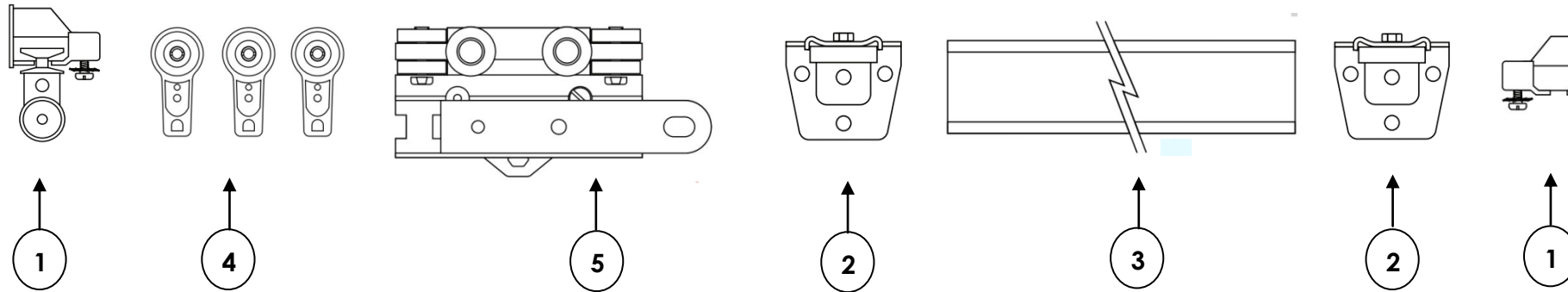
## Center Split Panel



## Right Hand Panel



## Left Hand Panel



### **PARTS:**

1. End Stop
2. Wall Bracket
3. 2000 Series Track
4. Ball Bearing Carriers
5. Left Hand Baton Master
6. Right Hand Baton Master