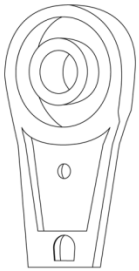
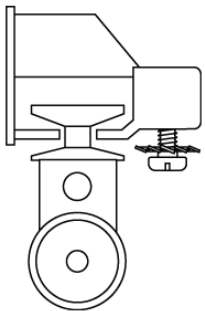


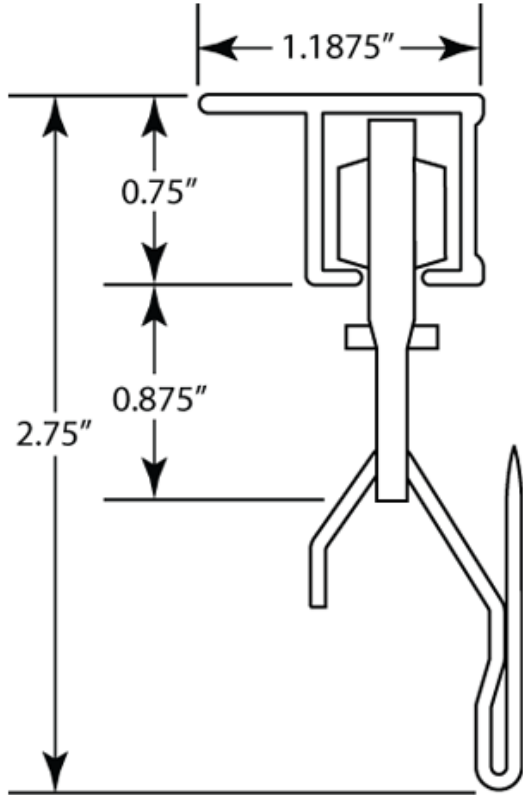
● Drapery Track



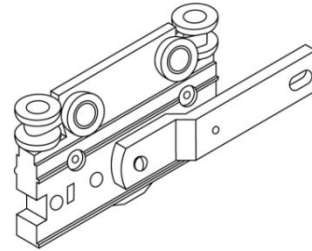
● Ball Bearing Carrier



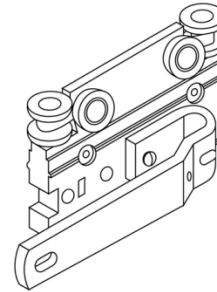
● End Stop



● Drapery Track and Carrier



● Left Hand Baton Master



● Right Hand Baton Master

COMPONENTS

Cubicle Track:
 3000 Series Drapery Track Baton Draw

Carrier:
 Ball Bearing Carrier

Other Parts:
 End Stop, Right Hand Baton Master, Left Hand Baton Master

SPECIFICATIONS

- Aluminum alloy with white baked enamel or anodized aluminum.
- Track channel available in straight continuous lengths up to 18 feet.
- Comparable to 94004 series from kirsh

**3000 SERIES PINCH PLEATED
 DRAPERY TRACK
 (BATON DRAW)**

Project:

Date:

Scale:

Dimensions:

By:
