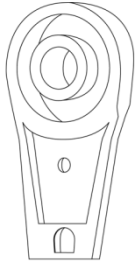
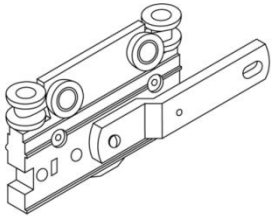


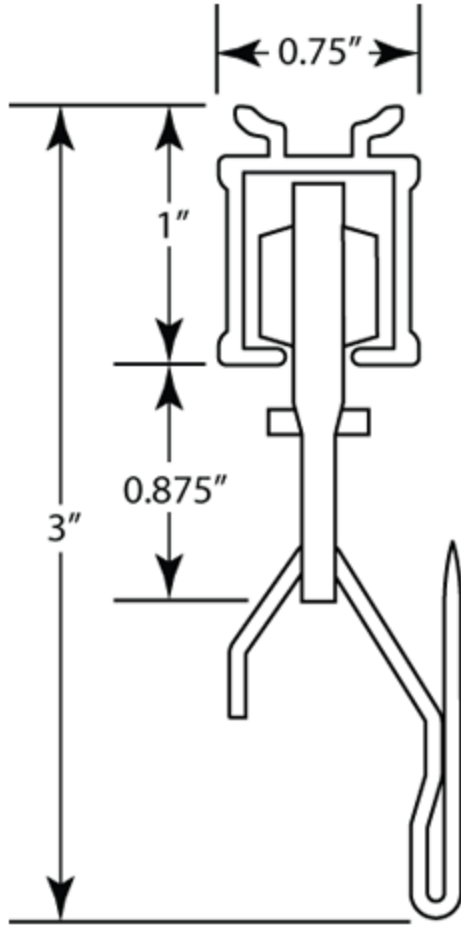
Drapery Track



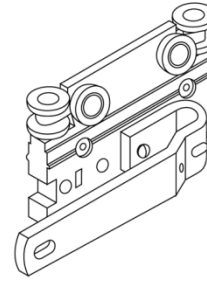
Ball Bearing Carrier



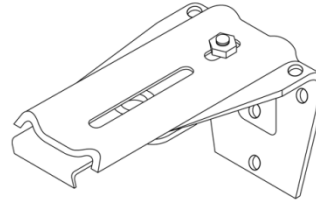
Left Hand Baton Master



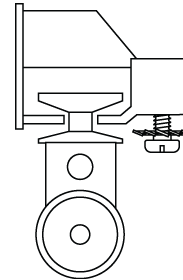
Drapery Track and Carrier



Right Hand Baton Master



Wall Bracket



End Stop

**COMPONENTS**

**Cubicle Track:**  
2000 Series Drapery Track Baton Draw

**Carrier:**  
Ball Bearing Carrier

**Other Parts:**  
Left Hand Baton Master, Right Hand Baton Master, Wall Bracket, End Stop

**SPECIFICATIONS**

- Extruded with Aluminum alloy with white baked enamel.
- Track channel available in straight continuous lengths up to 18 feet.
- Comparable to 94003 series from kirsh.

**2000 SERIES PINCH PLEATED DRAPERY TRACK (BATON DRAW)**

**Project:**  
---

**Date:**  
---

**Scale:**  
---

**Dimensions:**  
---

**By:**  
---