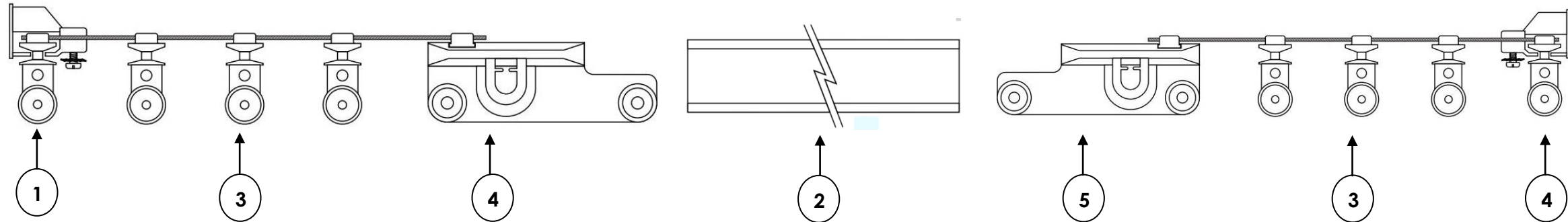
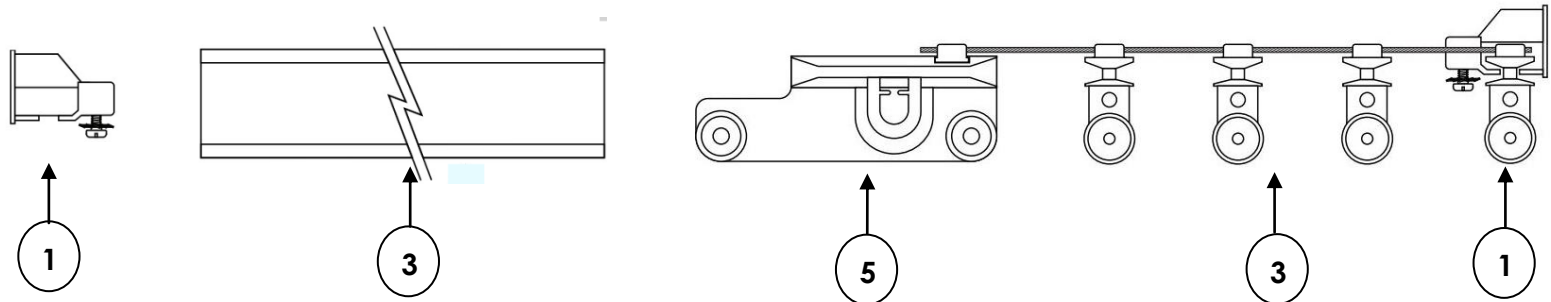


ASSEMBLY INSTRUCTIONS FOR 3000 SERIES FOR RIPPLE FOLD DRAPERY

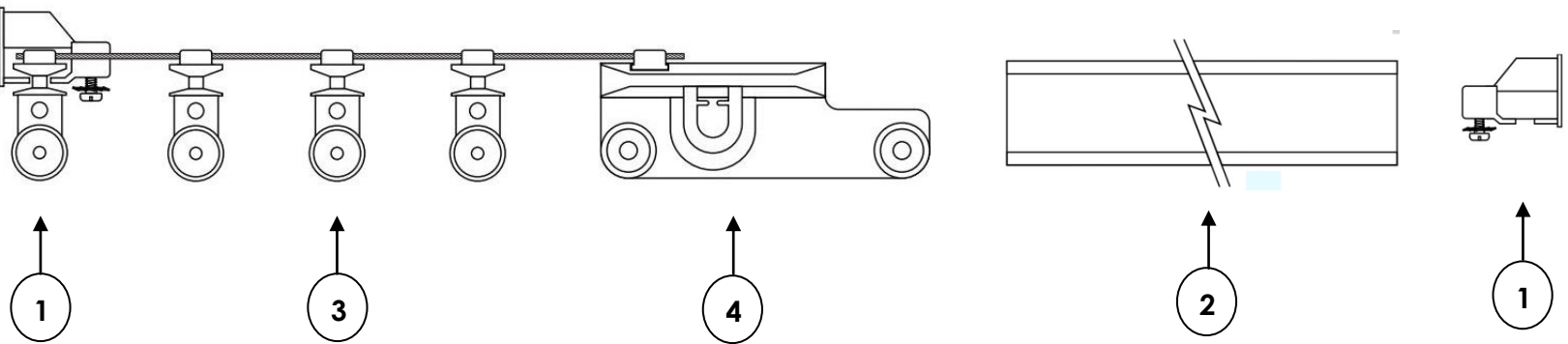
Center Split Panel



Right Hand Panel



Left Hand Panel



PARTS:

- 1. End Stop
- 2. 3000 Series Track
- 3. Ripple Fold Carriers
- 4. Left Hand Baton Master
- 5. Right Hand Baton Master