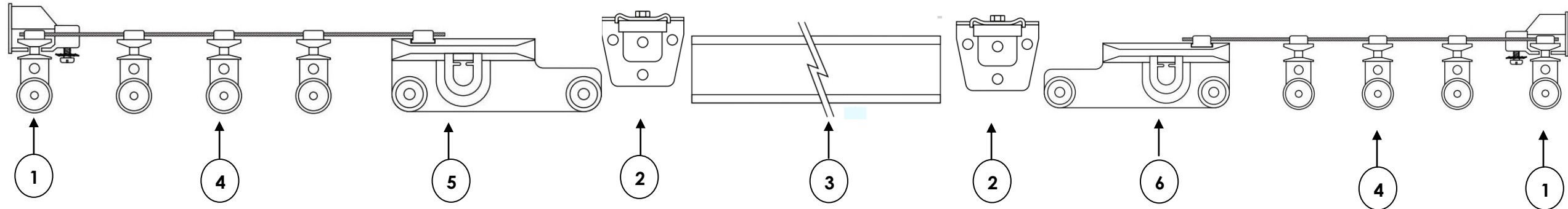
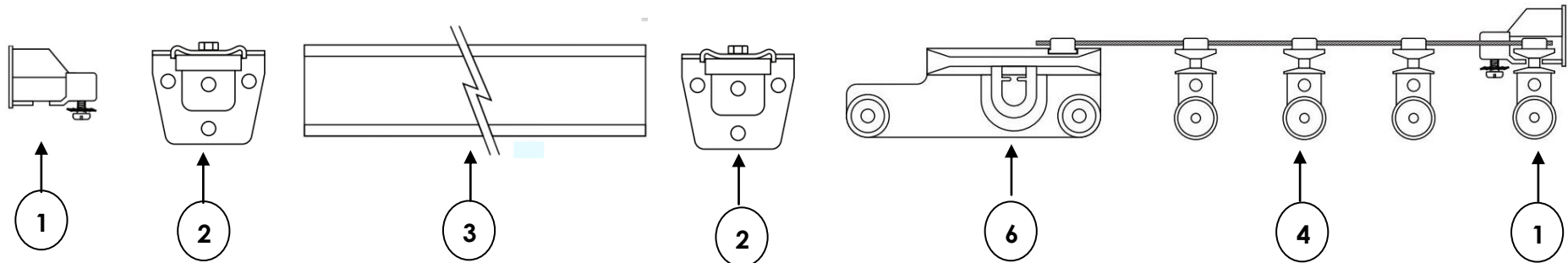


# ASSEMBLY INSTRUCTIONS FOR 2000 SERIES FOR RIPPLE FOLD DRAPERY

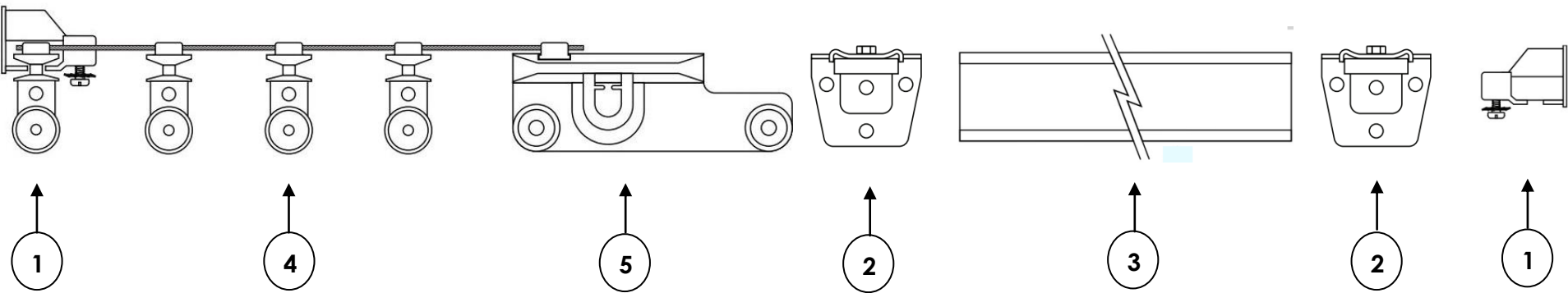
## Center Split Panel



## Right Hand Panel



## Left Hand Panel



**PARTS:**

- 1. End Stop
- 2. Wall Bracket
- 3. 2000 Series Track
- 4. Ripple Fold Carriers
- 5. Left Hand Baton Master
- 6. Right Hand Baton Master