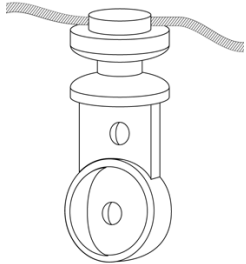
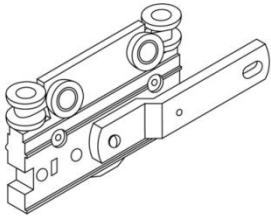


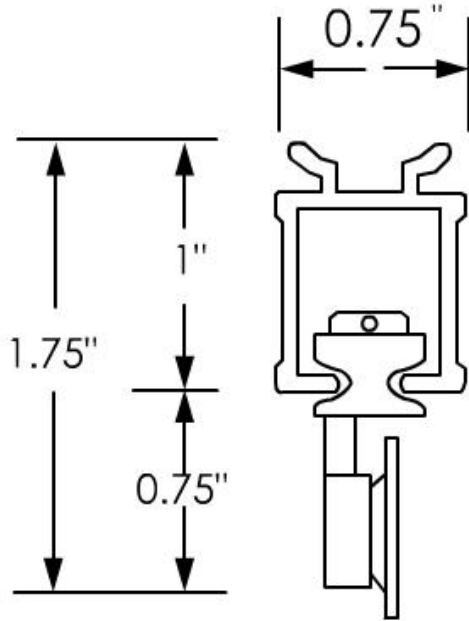
Drapery Track



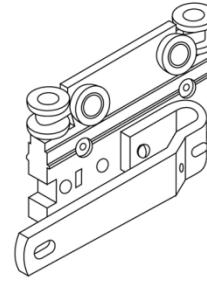
Ripple Fold Carrier



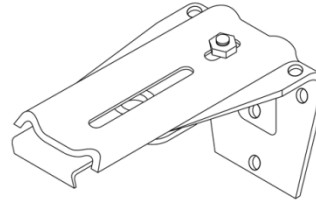
Left Hand Baton Master



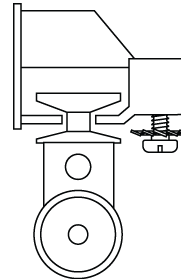
Drapery Track and Carrier



Right Hand Baton Master



Wall Bracket



End Stop

COMPONENTS

Cubicle Track:
2000 Series Drapery Track Baton Draw

Carrier:
Ripple Fold Carrier

Other Parts:
Left Hand Baton Master, Right Hand Baton Master, Wall Bracket, End Stop

SPECIFICATIONS

- Extruded with Aluminum alloy with white baked enamel.
- Track channel available in straight continuous lengths up to 18 feet.
- Comparable to 94003 series from kirsh.

2000 SERIES RIPPLE FOLD DRAPERY TRACK (BATON DRAW)

Project:

Date:

Scale:

Dimensions:

By:
