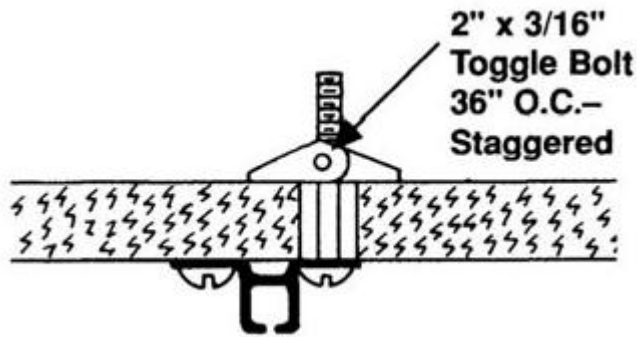


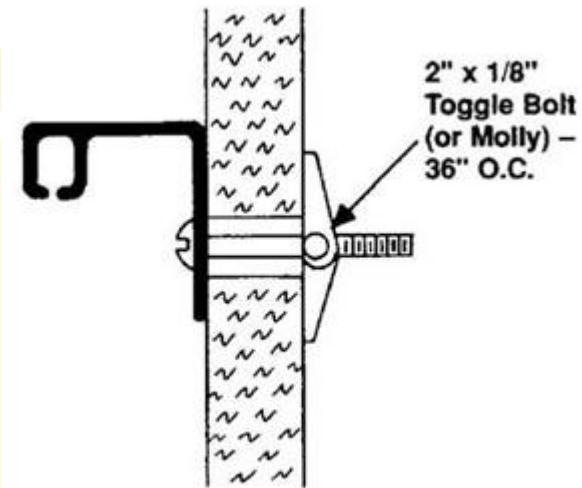
Pro Safe Track Installation Details

These details represent just a few of the many possible methods for installing the Pro Safe Track. If specific procedures are outlined in contract documents, verify with the architect exactly which method to follow.

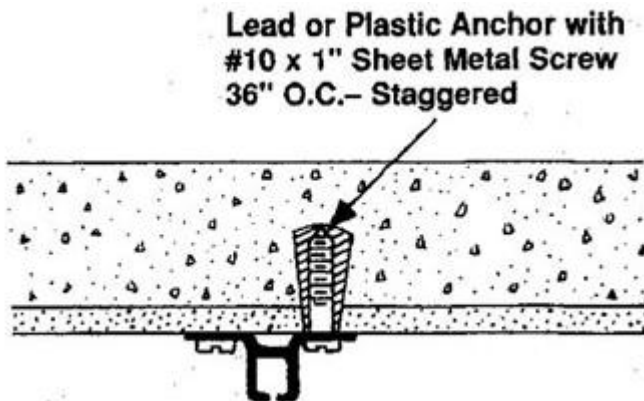
Fastening devices noted here are to be used as guidelines only. Specific size and spacing requirements must be determined by the installer. No fastening devices or above-ceiling supports are furnished with the track; however, the use of tamper-proof screws is recommended.



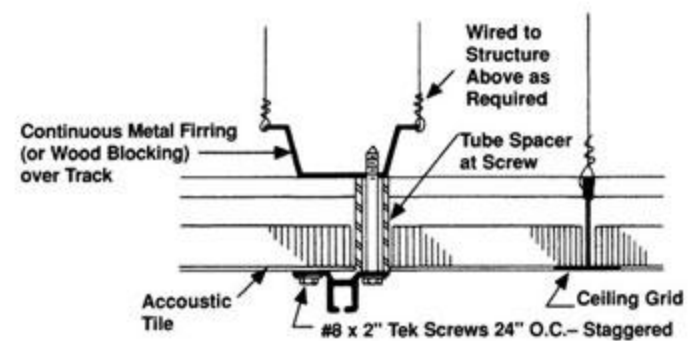
Mounting To Plaster or Gypsum Board Ceiling



Mounting To Concrete Wall



Mounting To Concrete Ceiling



Mounting Through Suspended Ceiling To Furring Above