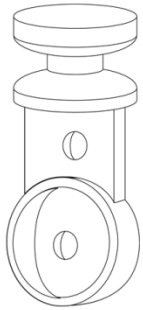
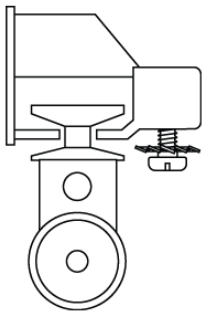


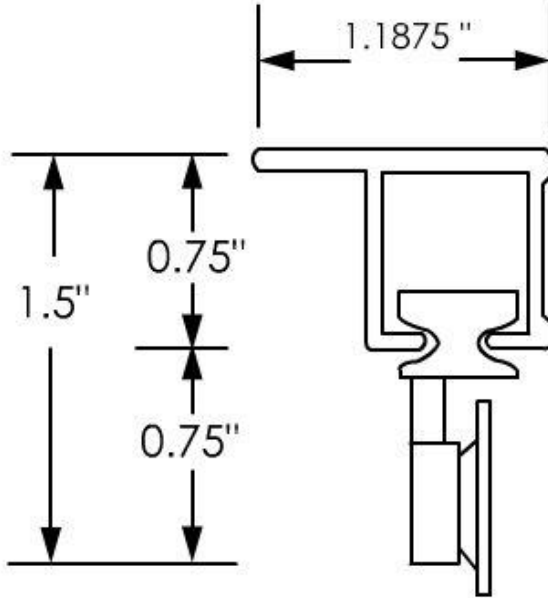
● Drapery Track



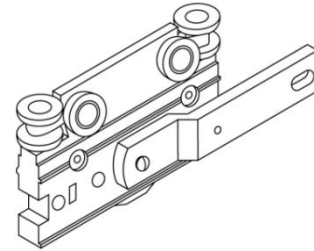
● Snap Tab Carrier



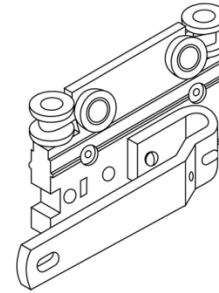
● End Stop



● Drapery Track and Carrier



● Left Hand Baton Master



● Right Hand Baton Master

COMPONENTS

Cubicle Track:
3000 Series Drapery Track Baton Draw

Carrier:
Snap Tab Carrier

Other Parts:
End Stop, R.H. Baton Master, L.H. Baton Master

SPECIFICATIONS

- Aluminum alloy with white baked enamel or anodized aluminum.
- Track channel available in straight continuous lengths up to 18 feet.
- Comparable to 94004 series from kirsh

**3000 SERIES STATIONARY
PANEL DRAPERY TRACK
(BATON DRAW)**

Project:

Date:

Scale:

Dimensions:

By:
